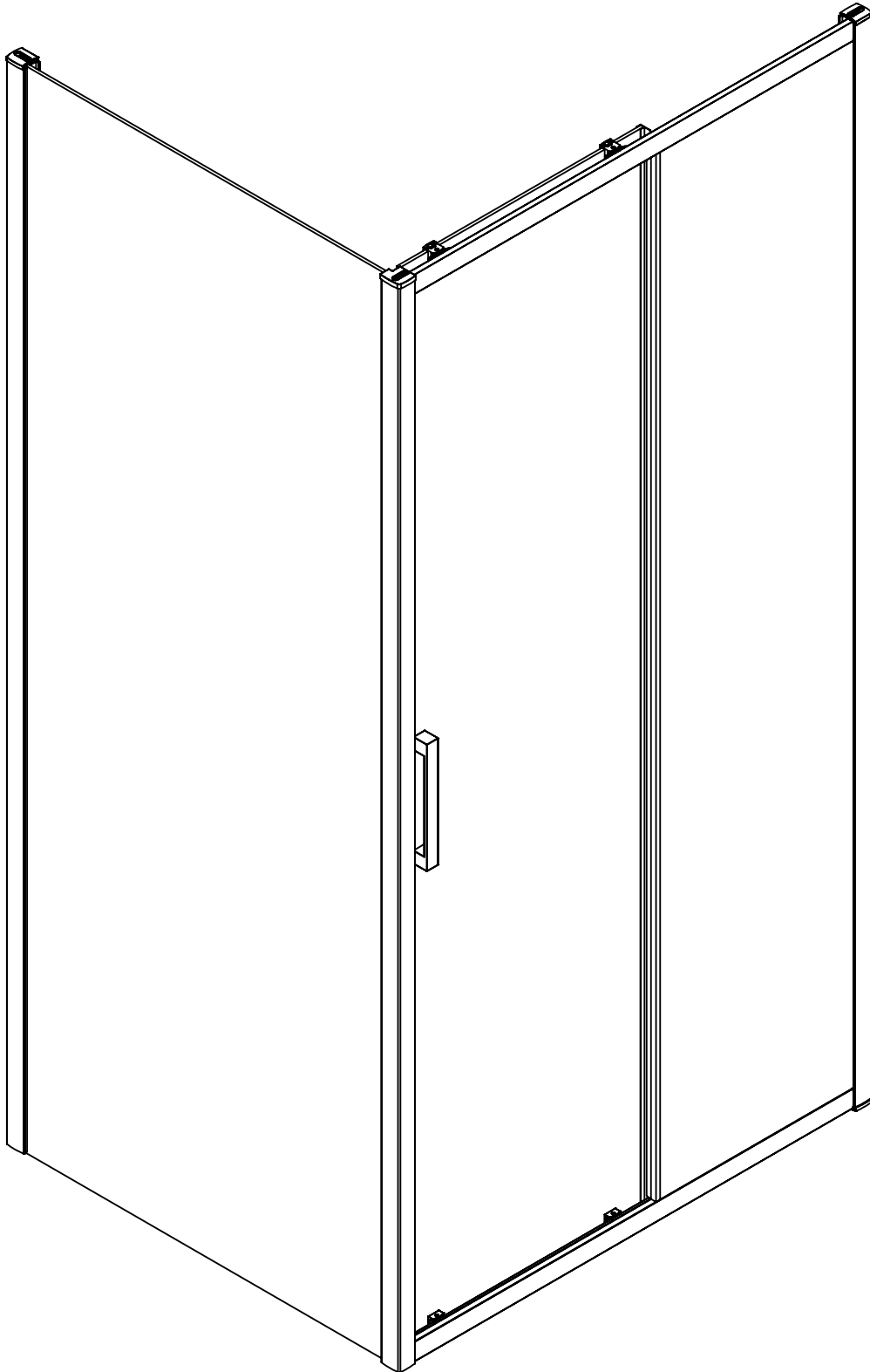
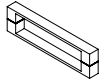
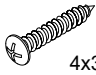





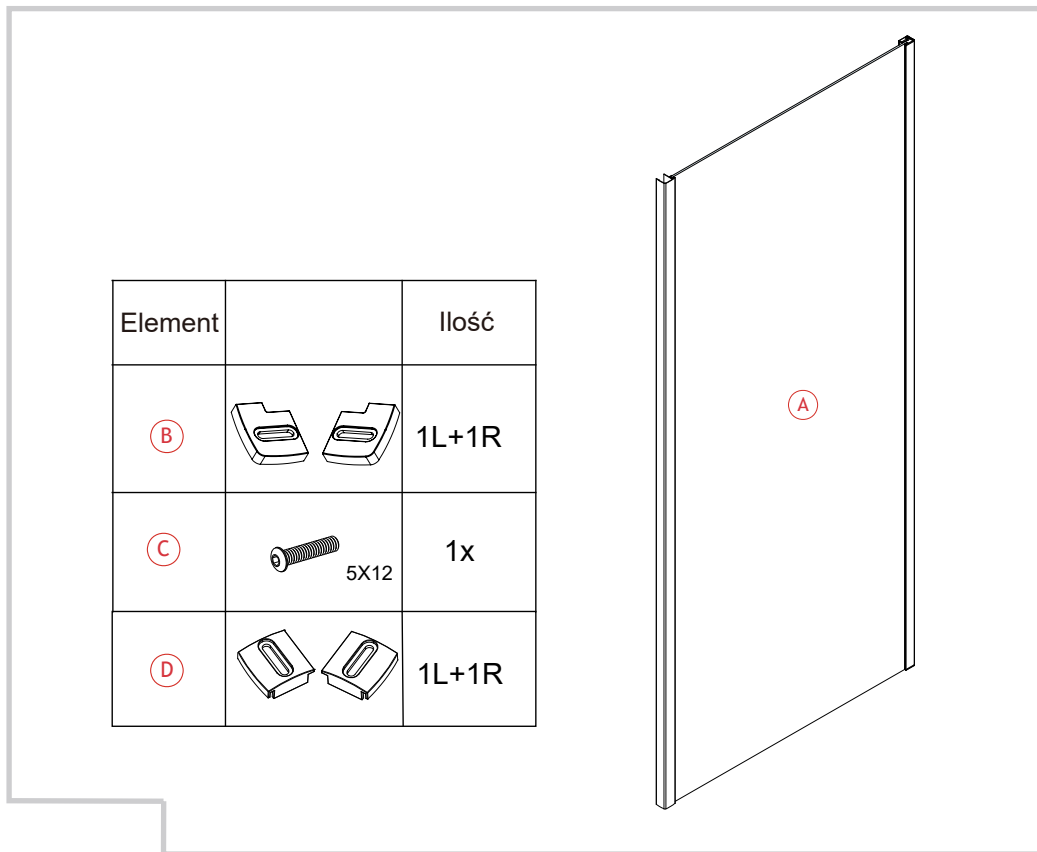
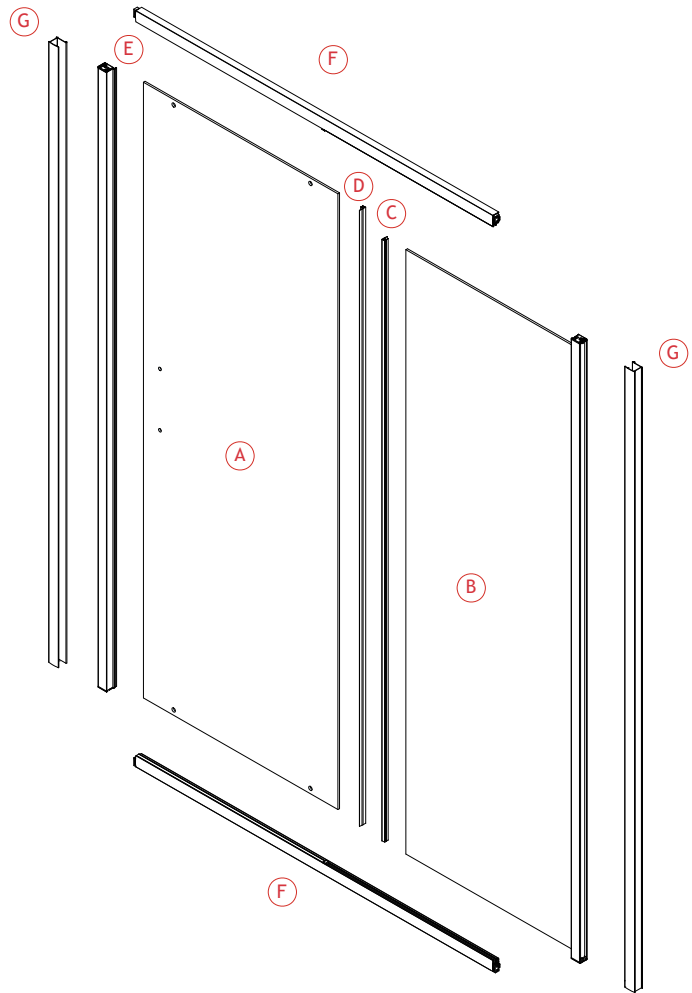




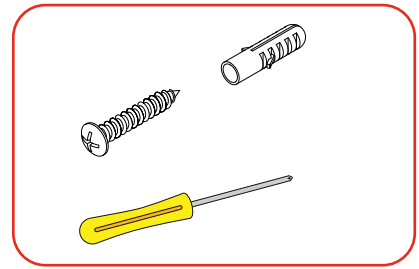
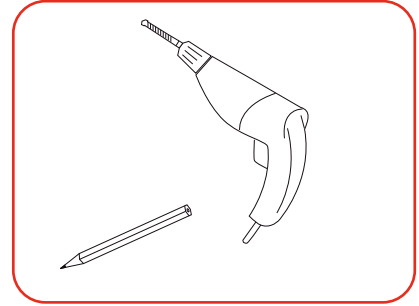
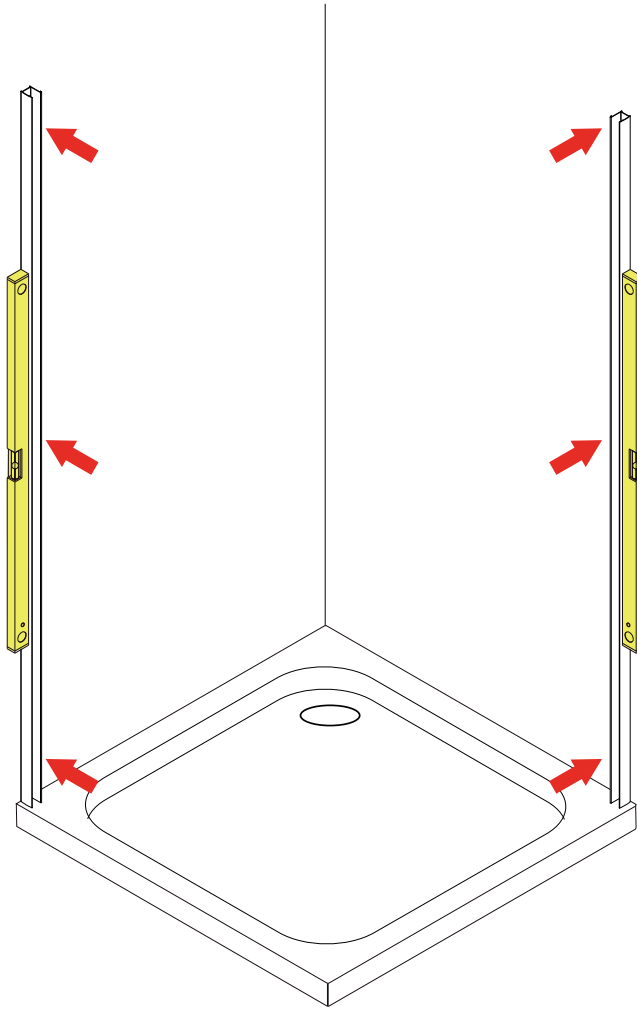
NEW CORRINA



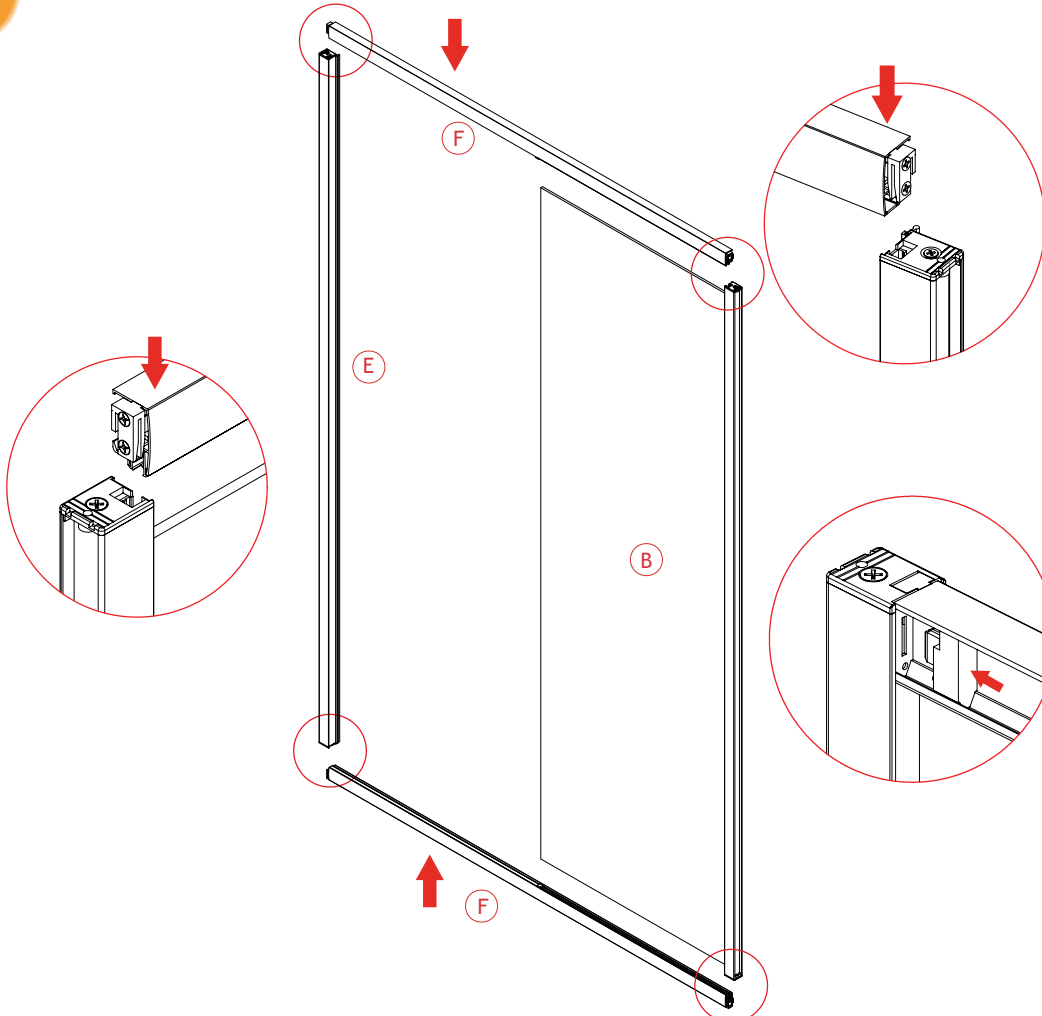
Element		Ilość
(I)		1x
(J)	 4x30	6x
(K)		6x
(L)	 5x12	2x
(M)		1x
(N)		2x
(O)		2x

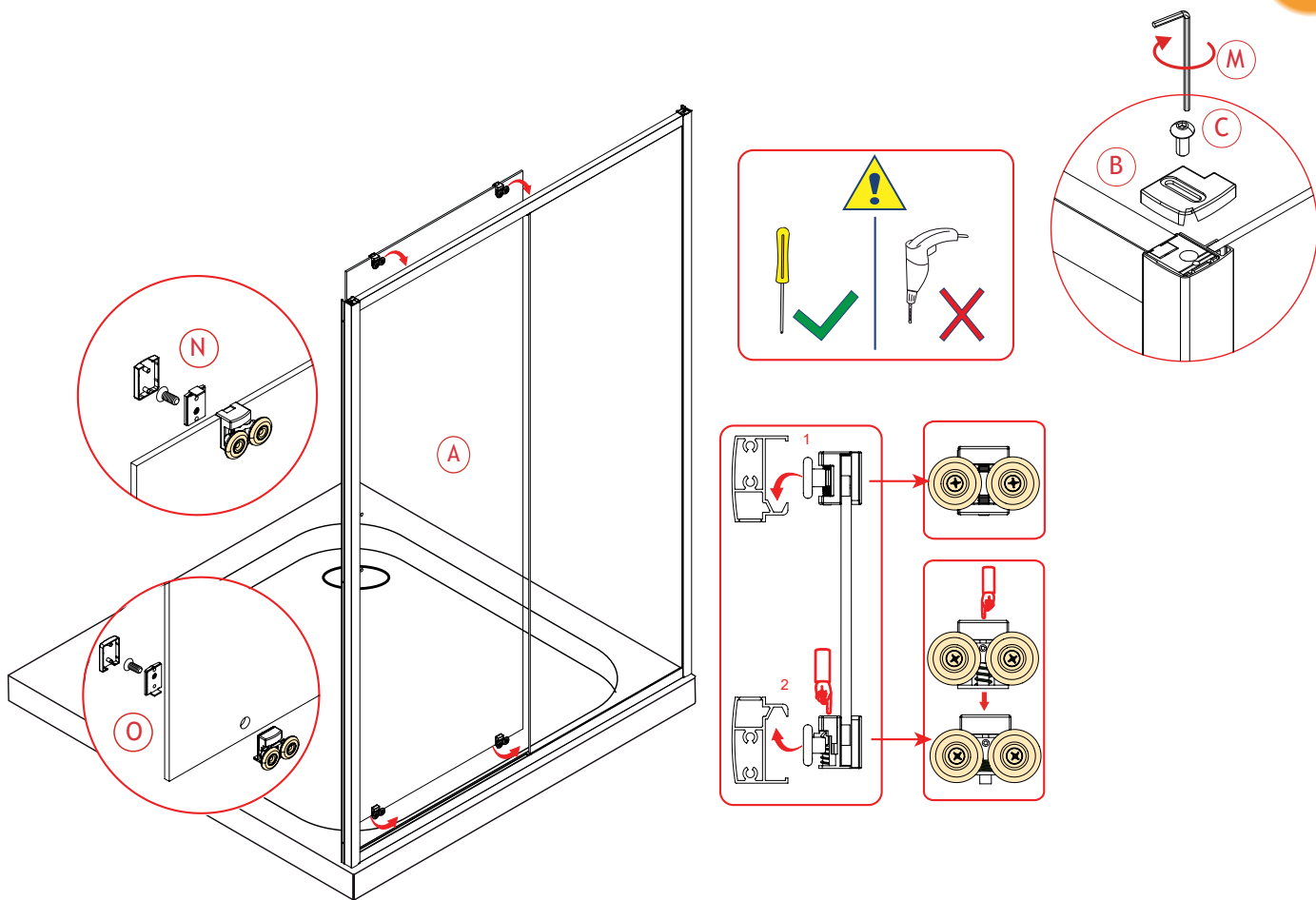
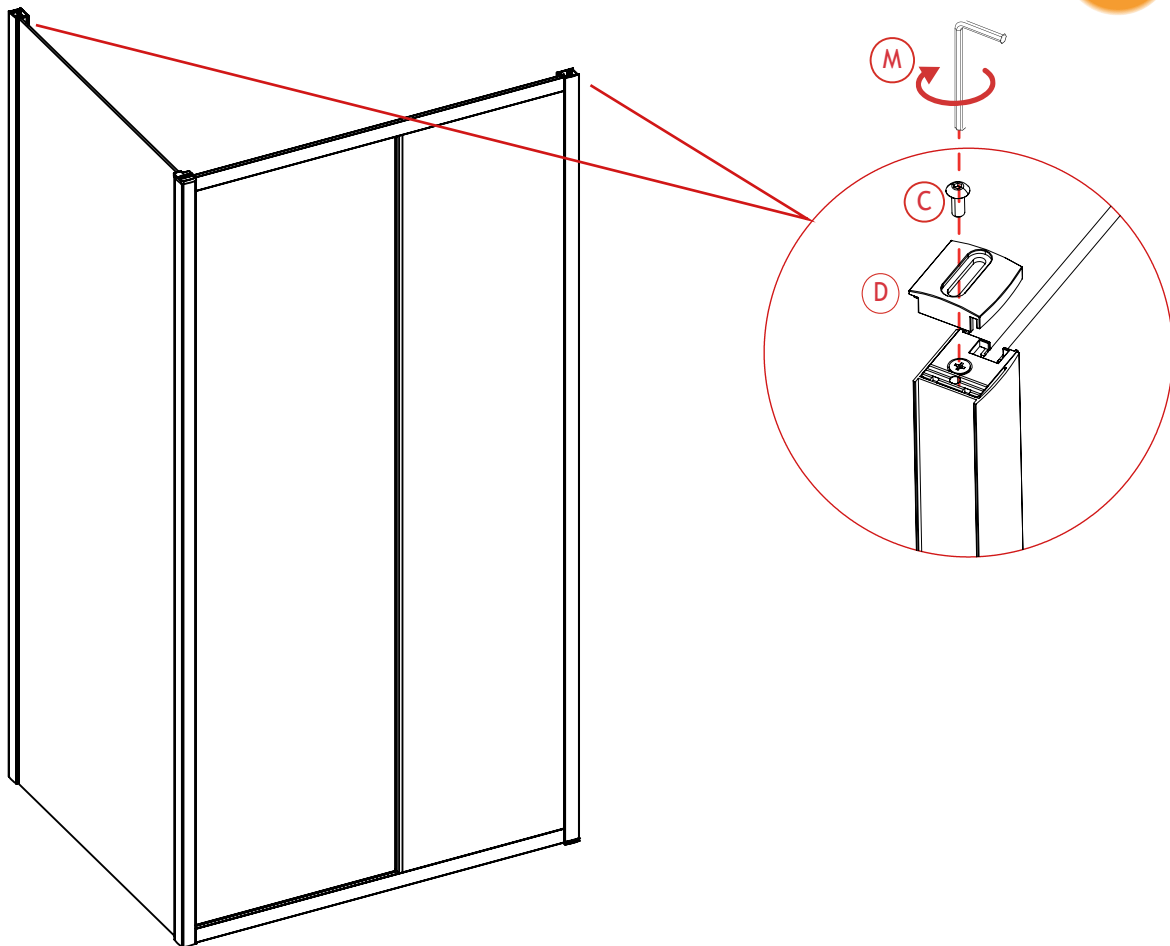


1

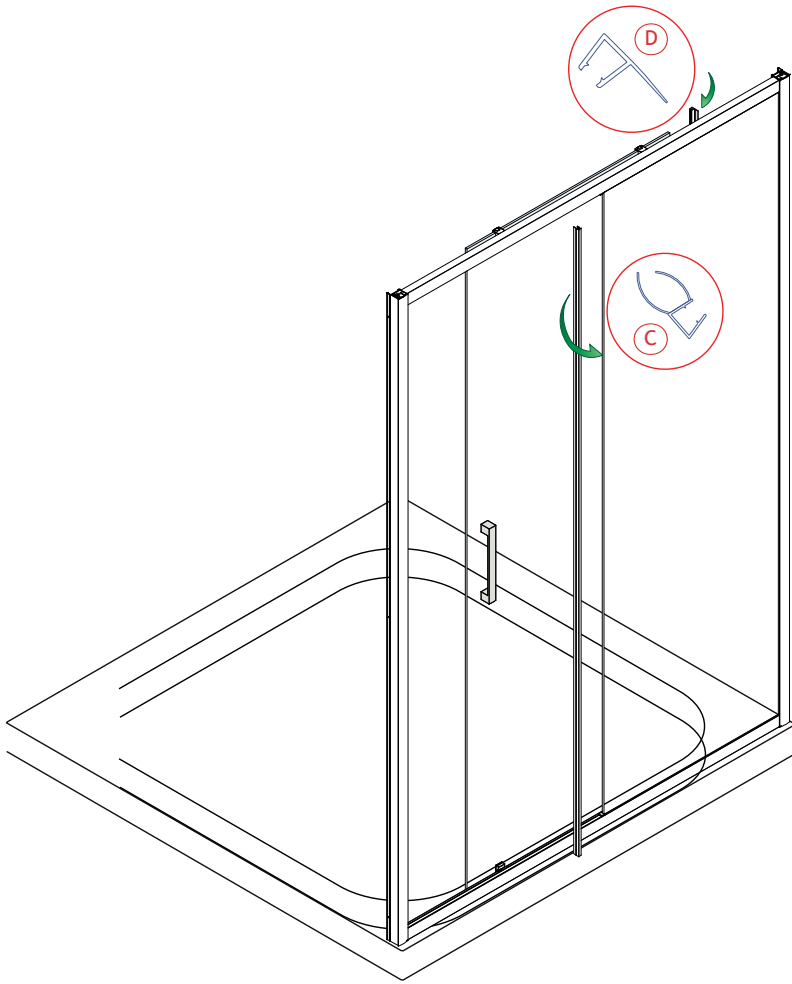


2

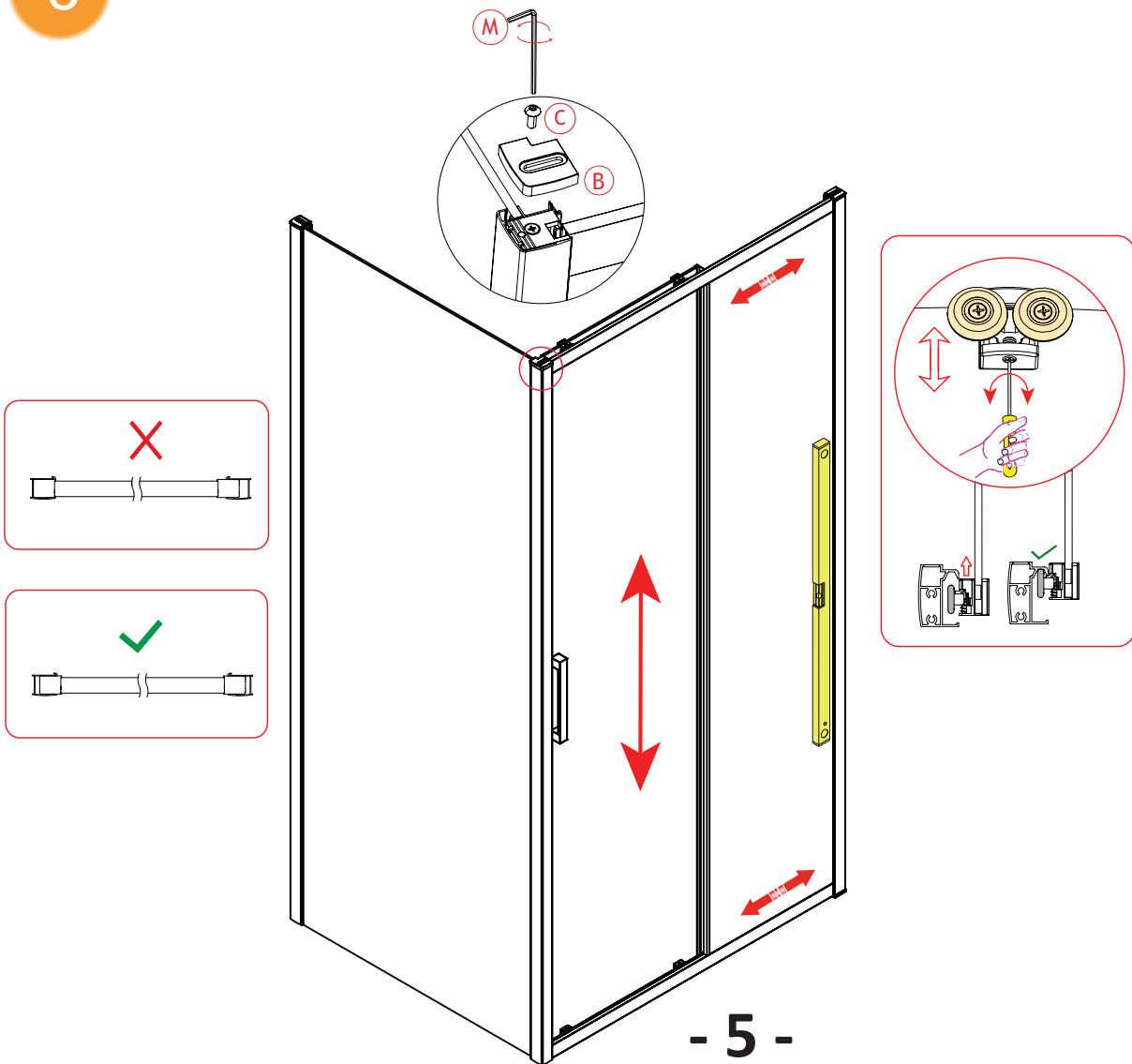




5



6





24H

